

## Knurled Nuts

Steel / Stainless Steel, High Type

### SPECIFICATION

#### Version in Steel

- Property class 5
- Visible face fine turned
- Blackened
- Zinc plated, blue passivated **ZB**

#### Version in Stainless Steel

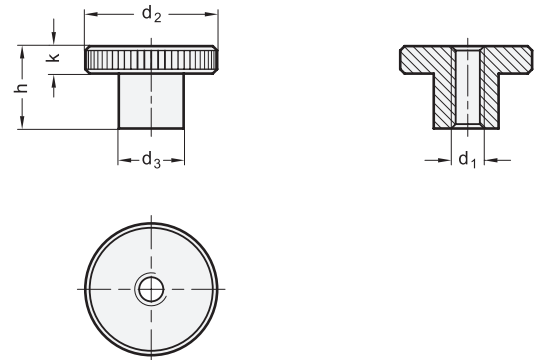
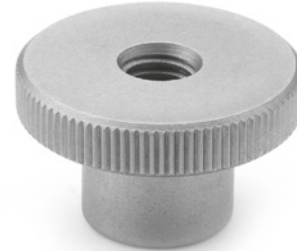
- AISI 303 **NI**
- AISI 316L **A4**
- Matte shot-blasted

### INFORMATION

Knurled nuts DIN 466 are suitable for universal use and can be tightened and loosened easily without tools. A nut with thread M12 is also available in addition to the types defined in the DIN standard.

### TECHNICAL INFORMATION

- Stainless Steel Characteristics (see page A26)
- Strength Values of Screws / Nuts (see page A20)



#### DIN 466-ST

Description	d <sub>1</sub>	d <sub>2</sub>	d <sub>3</sub>	h	k	⚖️
DIN 466-M2	M 2	9	4.5	5.3	2	2
DIN 466-M2,5	M 2.5	11	5	6.5	2.5	3
DIN 466-M3	M 3	12	6	7.5	2.5	4
DIN 466-M4	M 4	16	8	9.5	3.5	6
DIN 466-M5	M 5	20	10	11.5	4	12
DIN 466-M6	M 6	24	12	15	5	20
DIN 466-M8	M 8	30	16	18	6	44
DIN 466-M10	M 10	36	20	23	8	84
DIN 466-M12	M 12	40	22	25	10	120

#### DIN 466-ZB

Description	d <sub>1</sub>	d <sub>2</sub>	d <sub>3</sub>	h	k	⚖️
DIN 466-M2-ZB	M 2	9	4.5	5.3	2	1
DIN 466-M2,5-ZB	M 2.5	11	5	6.5	2.5	2
DIN 466-M3-ZB	M 3	12	6	7.5	2.5	3
DIN 466-M4-ZB	M 4	16	8	9.5	3.5	7
DIN 466-M5-ZB	M 5	20	10	11.5	4	12
DIN 466-M6-ZB	M 6	24	12	15	5	22
DIN 466-M8-ZB	M 8	30	16	18	6	42
DIN 466-M10-ZB	M 10	36	20	23	8	84
DIN 466-M12-ZB	M 12	40	22	25	10	119

#### DIN 466-SST

STAINLESS STEEL

Description	d <sub>1</sub>	d <sub>2</sub>	d <sub>3</sub>	h	k	⚖️
DIN 466-M2-NI	M 2	9	4.5	5.3	2	3
DIN 466-M2,5-NI	M 2.5	11	5	6.5	2.5	2
DIN 466-M3-NI	M 3	12	6	7.5	2.5	3
DIN 466-M4-NI	M 4	16	8	9.5	3.5	6
DIN 466-M5-NI	M 5	20	10	11.5	4	12
DIN 466-M6-NI	M 6	24	12	15	5	22
DIN 466-M8-NI	M 8	30	16	18	6	40
DIN 466-M10-NI	M 10	36	20	23	8	84
DIN 466-M12-NI	M 12	40	22	25	10	115
DIN 466-M3-A4	M 3	12	6	7.5	2.5	3
DIN 466-M4-A4	M 4	16	8	9.5	3.5	7
DIN 466-M5-A4	M 5	20	10	11.5	4	13
DIN 466-M6-A4	M 6	24	12	15	5	24
DIN 466-M8-A4	M 8	30	16	18	6	91
DIN 466-M10-A4	M 10	36	20	23	8	125